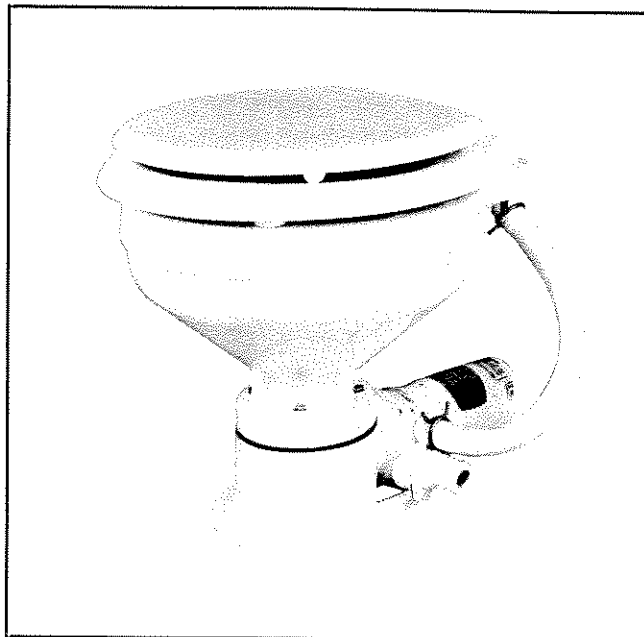


471035



Model 37010-SERIES



ELECTRIC MARINE TOILET

Push Button Operation

FEATURES

- White Vitreous China Bowl Available in Two Sizes
- Baked Enamel Seat & Cover in Compact or Household Size
- Flexible Impeller Flush Pump
- Permanent Magnet Type Motor, Fully Enclosed, with Stainless Steel Shaft
- High Capacity Macerator and Bowl Scavenger Pump
- Built-in Back Flow Preventer
- All Corrosion Resistant Material for Marine Use

Model 37010-SERIES

VARIATIONS

VOLTAGE	COMPACT SIZE	HOUSEHOLD SIZE
12 Vdc	37010-0000	37010-1000
24 Vdc	37010-0006	37010-1006
32 Vdc	37010-0003	37010-1003

INSTALLATION INSTRUCTIONS

The PAR electric toilet may be installed above or below the waterline. Flush pump is self-priming up to 4 feet; discharge macerator pump can operate up to 4 feet of head.

Inlet and outlet seacocks should be easily accessible and be positive shut off valves. If seacocks cannot be conveniently operated from toilet location, install suitable shut off valves for inlet and discharge connections.

Base assembly may be moved 90° to accommodate connections and provide accessibility for servicing.

Surface where toilet is mounted should be flat to prevent distortion of toilet base.

PLUMBING CONNECTIONS — Connect inlet hose using either 5/8" or 3/4" ID hose (a sleeve is included to adapt pump inlet from 5/8" to 3/4"). Make sure all inlet connections are airtight and free of sharp bends or restrictions.

Connect 1" or 1-1/2" hose to discharge port (Adaptor 98023-0080 is included to convert discharge port to 1-1/2" ID hose), and make suitable connection to holding tank or other discharge system. Avoid sharp bends or restrictions.

For above waterline installations, a check valve may have to be installed in the flush water intake line to ensure rapid pump priming. To retain water in bowl, make a loop in the discharge line about 8 inches above base of bowl.

WARNING: HAZARD OF FLOODING. IF TOILET IS INSTALLED BELOW THE WATERLINE IT MUST BE INSTALLED WITH PROPERLY POSITIONED VENTED LOOPS. FAILURE TO DO SO MAY RESULT IN FLOODING WHICH CAN CAUSE LOSS OF PROPERTY AND LIFE.

For installation below the waterline, install a vented loop in the intake hose and position about 8" above the waterline at all angles of heel or trim.* A vented loop should also be used for discharge if connected to a thruhull fitting.

CAUTION: IF TOILET IS PLUMBED TO THE VESSELS POTABLE WATER FOR ITS SOURCE OF SUPPLY, IT IS ESSENTIAL THAT A SPRING LOADED TYPE CHECK VALVE IS INSTALLED IN THE HOSE CONNECTING THE WATER TANK TO THE TOILET. FAILURE TO DO SO CAN RESULT IN CONTAMINATION OF WATER SUPPLY.

* In some installations when a vented loop is installed in the intake hose, the flushing pump primeability and flow characteristics are reduced and may adversely affect toilet function. To restore pump performance, connect a solenoid valve (Jabsco No. 37068-0000) to the vent air inlet to interrupt the air supply during the flush cycle. The brass port of the solenoid valve (remove plastic filter if attached) should be connected to the vent inlet with 3/16" hose and the solenoid wired in parallel with the toilet motor. See Diagram 1 for installation and wiring illustration.

ELECTRICAL CONNECTIONS - Select a location for the switch and instruction plate, making sure wire leads from both the toilet and power source can be routed to the switch. Ensure the panel where installing switch is no more than 1" thick. Drill a 5/8" mounting hole and install switch and instruction plate. Use stranded copper wire of the correct size (determined from the electrical specifications chart) to connect one side of the switch to the positive power source. **An appropriate size fuse or equivalent circuit breaker (determined from electrical specifications chart) must be installed in the positive power lead within seven inches of the power source.** Connect the other side of the switch to the orange (positive) motor lead. Connect the black (negative) motor lead to the negative side of the battery or grounded buss bar.

NOTICE: Correct motor polarity (orange to positive, black to negative) is important. Reverse polarity can damage motor and void warranty. Full voltage at the motor is required to properly operate PAR Electric Toilet. The toilet must be wired in a circuit independent of all other accessories.

ELECTRICAL SPECIFICATIONS

VOLTAGE	AMP DRAW	FUSE SIZE	WIRE SIZE PER FEET OF RUN*		
			0' - 10'	11' - 20'	21' - 30'
12 Vdc	16	25	# 8	# 6	# 4
24 Vdc	8	20	# 14	# 10	# 10
32 Vdc	6	10	# 16	# 12	# 10

*Feet of Run is measured from battery to toilet.

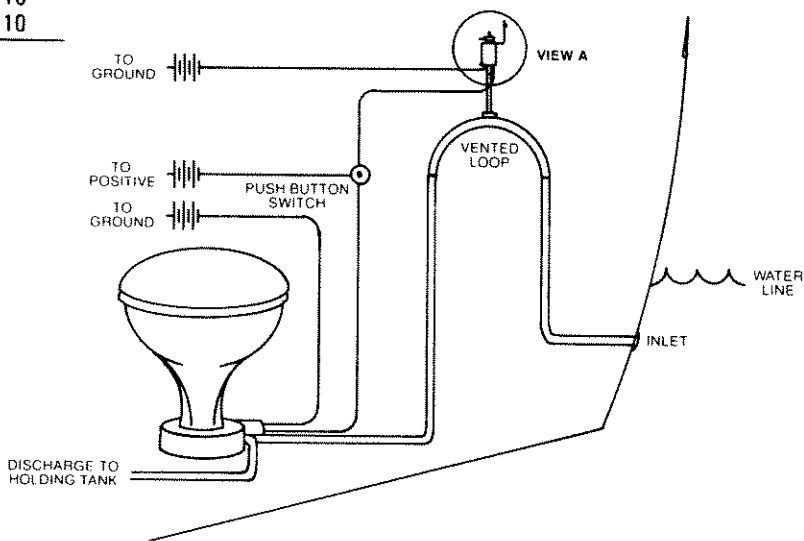
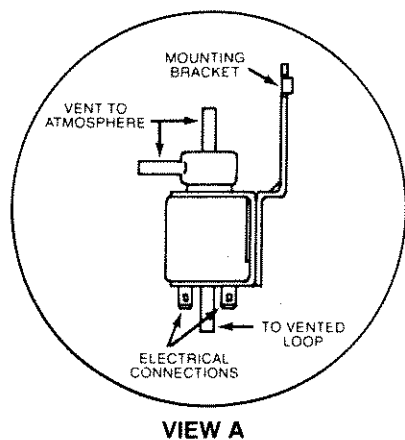


DIAGRAM 1

DISASSEMBLY INSTRUCTIONS

Disconnect pump inlet, outlet and discharge hoses. Remove four screws, Key # 23, pull out complete motor, pump and macerator assembly. If assembly does not slide out easily, push forward and pull back sharply several times to free macerator housing from base.

Remove discharge port, Key # 13, and check valve. Unscrew chopper plate, Key # 15, by turning counterclockwise, facing plate. Prevent shaft from turning by placing screwdriver in discharge port and locking centrifugal impeller blade. Remove macerator housing. Loosen impeller set screw and slide shaft sleeve and impeller off motor shaft.

Remove four flathead screws, Key # 20 & 21, brass wearplate, Key # 22, gaskets, Key # 24, and S.S. wearplate, Key # 25. Slide pump assembly off motor shaft. Replace all worn or damaged parts; clean remaining parts.

OPERATING INSTRUCTIONS

Make sure inlet and outlet seacocks are all open; push button to operate. Operate until bowl is completely flushed and discharge pump has scavenged water from bottom of bowl.

The PAR electric marine toilet will provide years of trouble-free service if properly used. It will handle waste and toilet tissue. It will NOT handle rags, sanitary napkins or hard solid objects.

If bowl does not pump out and begins to fill, partially close inlet valve until bowl is cleared and completely pumped out. Then operate for a few seconds with both valves open to clear entire toilet and discharge system. After each operation, close both the inlet and outlet seacocks.

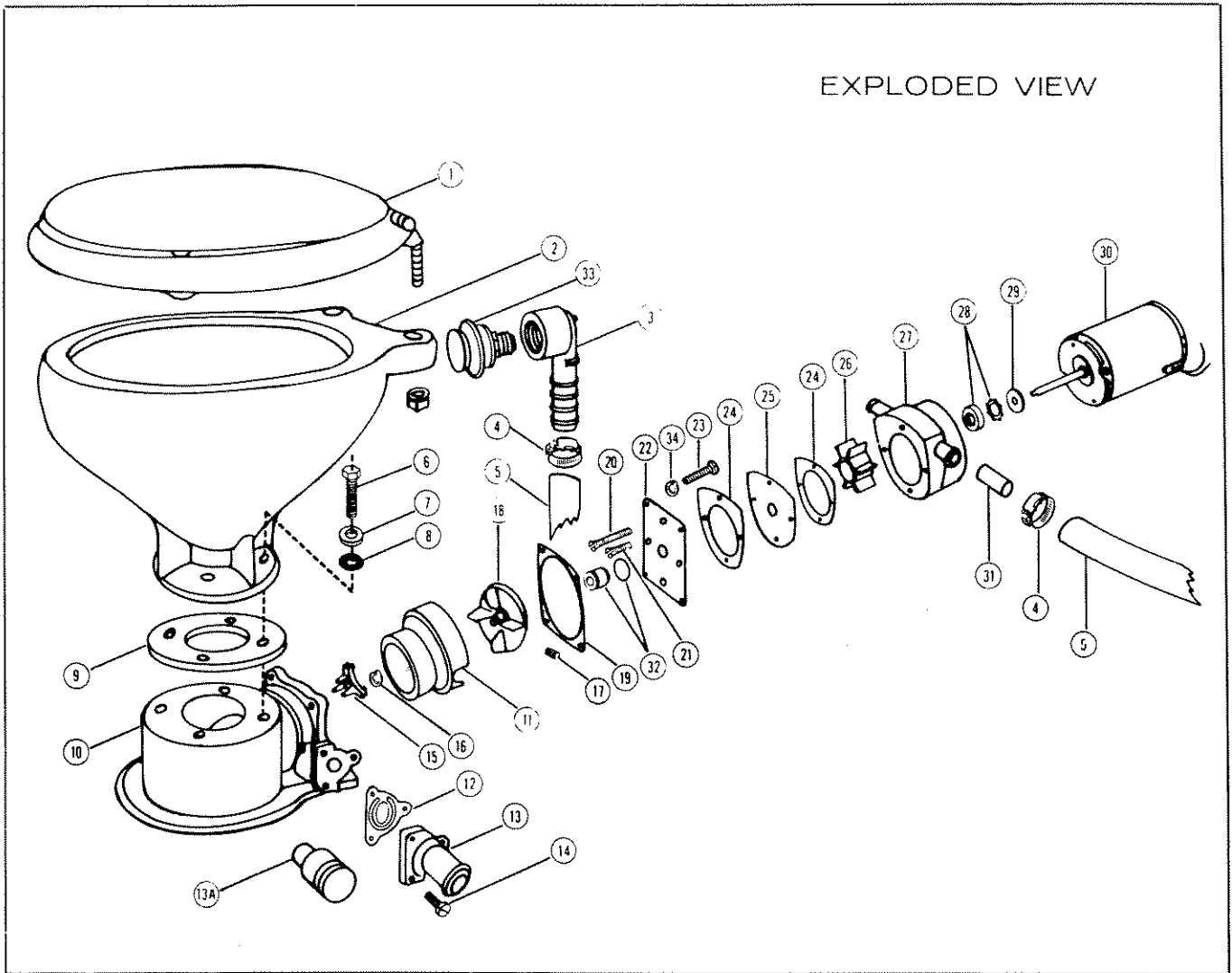
To drain for winter lay-up, close inlet valve and operate for a few seconds until all water is pumped out.

After long periods of non-use, toilet and pump may dry out. To ease initial start-up put about one quart of water in bowl and let stand awhile before initial use.

REASSEMBLY INSTRUCTIONS

Press seal into body with lip facing impeller, be careful not to cock seal in bore. Install pump body on motor and position on register; lubricate impeller bore with pump grease. Put O-ring into wearplate groove. Install impeller, gaskets, S.S. wearplate and brass wearplate. Make sure gasket surfaces are clean and smooth. Tighten wearplate screws. Slide shaft sleeve onto shaft until it seats against rubber impeller (Key # 26). Relocate centrifugal impeller against sleeve on shaft and tighten set screw. Place macerator housing over shaft and impeller, put lock washer on end of shaft and screw chopper plate on shaft and tighten. Install gasket on wearplate surface, a little grease will help hold in place, make sure inside body surfaces are clean, line up slot in base with key on macerator housing, slide pump assembly into base and tighten with the four screws. Turn motor on for one or two seconds to be sure centrifugal impeller is free.

EXPLODED VIEW



PARTS LIST

KEY	DESCRIPTION	PART #	QTY. REQ'D
1	Seat & Cover, Compact Size	59127-7001	1
	Seat & Cover, Household Size	18753-0061	1
2	Bowl, Compact Size	59127-7002	1
	Bowl, Household Size	18753-0060	1
3	Elbow	59127-7030	1
4	Clamp	18753-0044	2
5	Hose	93003-0230	1
6	Hex Head Screw	91095-0070	4
7	Washer, Stainless Steel†	91603-0090	4
8	Washer, Plastic*	57000-8195	4
9	Gasket*	37017-0000	1
10	Base	37004-0000	1
11	Macerator Housing†	37014-0000	1
12	Flapper Valve*	37009-0000	1
13	1" Discharge Port	37015-0000	1
13A	1½" Adaptor, Discharge Port	98023-0080	1
14	Screw	91002-0030	3
15	Chopper Plate*†	18595-1000	1
16	Lock Washer, Stainless Steel†	91602-0240	1
17	Set Screw†	91084-0320	1
18	Centrifugal Impeller†	37006-0000	1
19	Gasket†	37019-0000	1

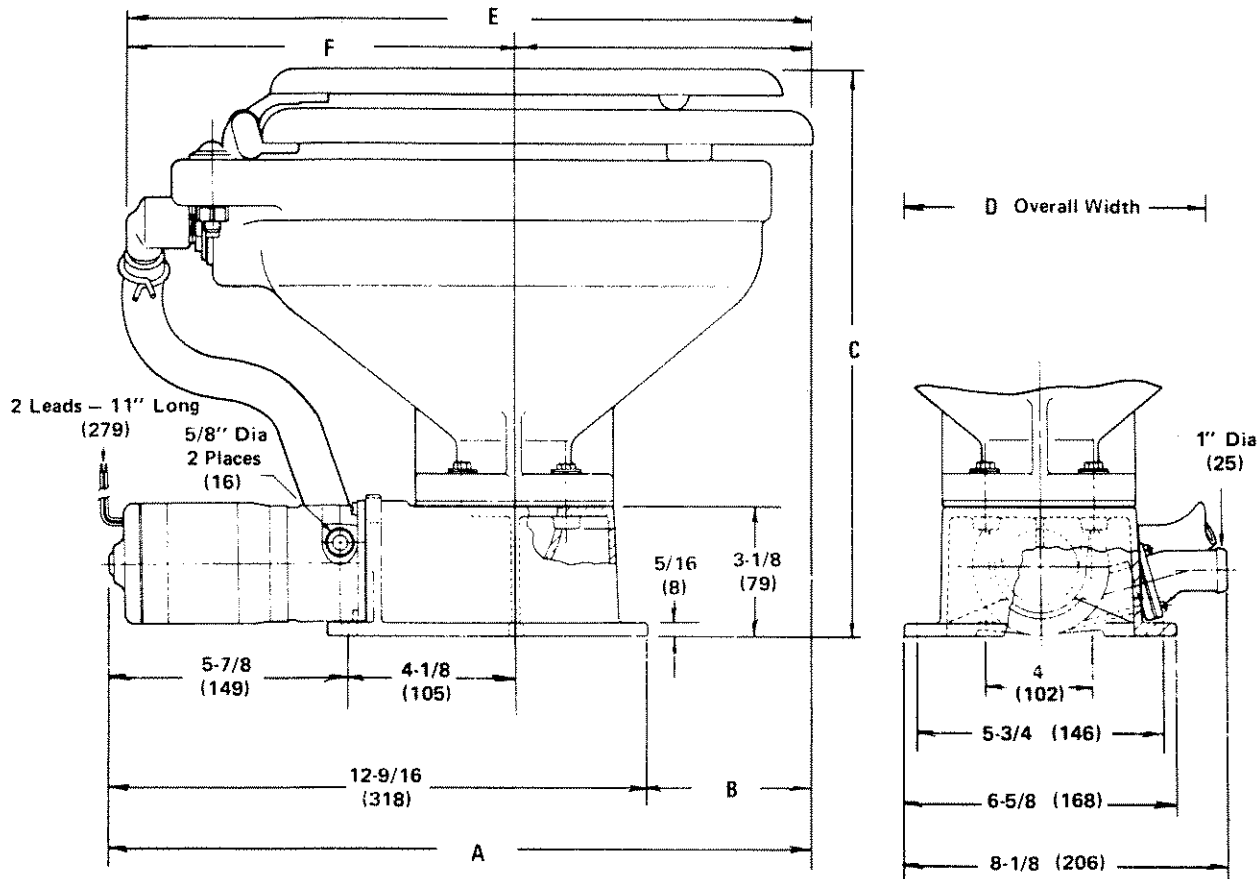
KEY	DESCRIPTION	PART #	QTY. REQ'D
20	Screw†	91010-0130	2
21	Screw†	91009-0040	2
22	Wearplate††	37018-0000	1
23	Screw†	91027-0011	4
24	Gasket*†	12558-0000	2
25	Wearplate†	18316-0000	1
26	Flexible Impeller*†	6303-0003	1
27	Body†	12554-0000	1
28	Seal & Retainer*†	1040-0000	1
29	Slinger†	6342-0000	1
	Motor - 12 Volt†	37064-0000	1
30	Motor - 24 Volt†	37065-0000	1
	Motor - 32 Volt†	37066-0000	1
31	Adaptor	93003-0240	2
32	O-Ring/Sleeve Kit†	37039-0000	1
33	Spud & Nut	59127-7057	1
34	Lock Washer #10, Stainless Steel†		4
	Service Kit	37040-0000	
	Motor/Pump Assy. 12V†	37041-0010	
	Motor/Pump Assy. 24V†	37041-0011	
	Motor/Pump Assy. 32V†	37041-0012	

* Parts Supplied With Service Kit 37040-0000.

‡ Wearplate #22 Includes Shaft Sleeve & O-Ring #32.

† Parts included in Motor/Pump Assy.

DIMENSIONAL DRAWING
INCHES (millimetres)



	A	B	C	D	E	F	G
COMPACT SIZE BOWL	17-5/8 (432)	5-1/16 (129)	13-13/16 (351)	13-7/8 (352)	17-3/4 (451)	9-7/8 (251)	7-5/8 (194)
HOUSEHOLD SIZE BOWL	18-1/2 (470)	5-15/16 (151)	14-5/8 (372)	14-3/4 (375)	19-3/4 (502)	11-1/4 (286)	8-1/2 (216)

THE PRODUCTS DESCRIBED HEREIN ARE SUBJECT TO THE JABSCO® ONE YEAR LIMITED WARRANTY, WHICH IS AVAILABLE FOR YOUR INSPECTION UPON REQUEST.

ITT JABSCO

A Unit of ITT Corporation
1485 Dale Way, P.O. Box 2158
Costa Mesa, CA 92628-2158
Telephone: (714) 545-8251